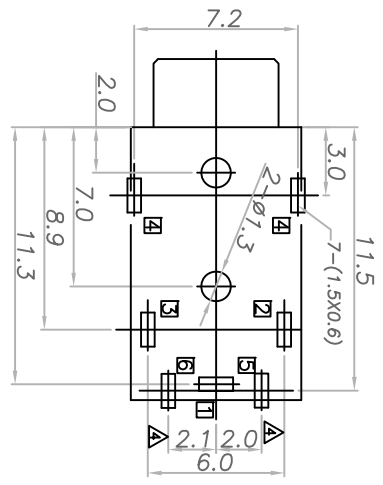
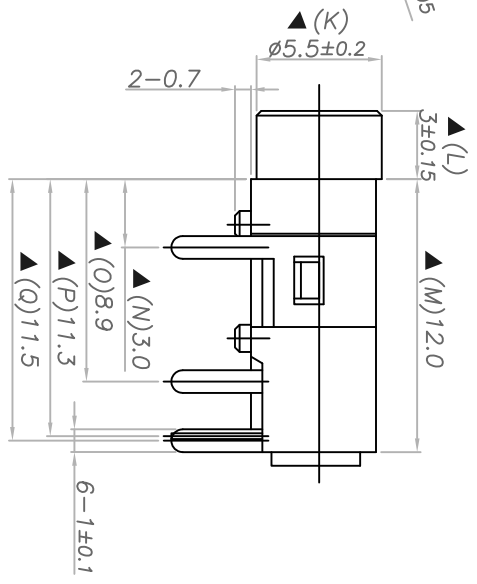
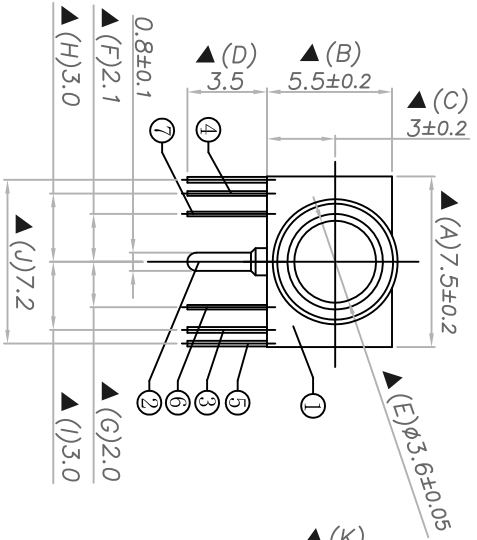
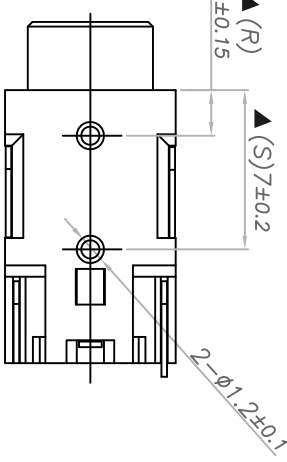
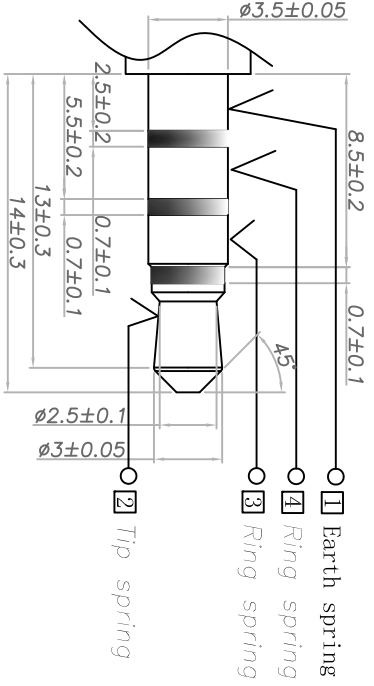


REV. LTR.	DESCRIPTION	SIGN	DATE
A X2	Modify size	Bingo	2008.12.23.
	Update drawing	Bull.pan	2011.06.11.



Matching Plug



RECOMMENDED P. C. B. LAYOUT
UNINSPECTED TOLERANCE: ±0.05
(BOTTOM VIEW)

Ordering information:
PJ30910-□-□□
(1) (2) (3)

(1): Series No.
(2): Schematic option:
I, J, M, D, K

(3): Housing color:
Zero — 0A=Black (Standard)
4K=Yellow (0008=PBT)

- Specification:
- Rating : DC 30V 0.5A.
 - Contact resistance: $\leq 30m\Omega$.
 - After test: $\leq 50m\Omega$.
 - Insulation resistance: $\geq 100M\Omega$ (500VDC).
 - After test: $\geq 50M\Omega$.
 - Withstanding voltage: 500VAC.
 - Insertion and extraction force: 3N~30N.
 - Life test: 5000cycles min.
 - Operation temperature range: $-20^{\circ}C \sim 70^{\circ}C$.
 - Preservative temperature range: $-40^{\circ}C \sim 85^{\circ}C$.
 - Sign "▲" is importance dimension.

Model NO.	(PJ30910-1)	(PJ30910-1)	(PJ30910-2)
Schematic			
Model NO.	PJ30910-M (PJ-30910-3)	PJ30910-D	
Schematic			

Circuit Diagram □: Terminal No.

NO.	DESCRIPTION	QTY	MATERIAL	PART NO.	REMARK
⑦	Shunt terminal	1	Brass	PJ30910-06 (PP-1185)	Silver plating
⑥	Shunt terminal	1	Brass	PJ30910-05 (PP-1183)	Silver plating
⑤	Ring spring	1	Phosphor bronze	PJ30910-04 (JA-1186)	Silver plating
④	Ring spring	1	Phosphor bronze	PJ30910-04 (JA-1186)	Silver plating
③	Tip spring	1	Phosphor bronze	PJ30910-02 (TP-1182)	Silver plating
②	Earth spring	1	Phosphor bronze	PJ30910-01 (JA-1187)	Silver plating
①	Housing	1	PBT	PJ30910-S1 (ST-1181)	

UNIT: MM
TYPE: φ3.5 PHONE JACK

MODEL NO: PJ30910- -- --
PAPER NO: A4
TOLERANCE: ±0.3
ANGLES: ±2°
SCALE: FULL
PAGE 1 OF 1
VER: 06

DESIGNER BY: Bull.pan 2011.06.11
CHECK BY: Matt 2011.06.11
APPROVED BY: Ocean 2011.06.11
Blue Sources Electronics Co., Ltd.